

**NINGBO DEJIA**  
WATER METER CO., LTD



NINGBO DEJIA WATER METER

**NINGBO DEJIA**  
WATER METER CO., LTD





## QUALITY MANAGEMENT SYSTEM CERTIFICATE

Certificate Number: SW17Q20748R0S

This is to Certify that the Quality Management System of  
**Ningbo Dejia Water Meter Co., Ltd.**

Organization Code/Unified Social Credit Code: 91330282599461742C

Registration Address: No.555, North Haiguan Road, Gutang Subdistrict, Cixi  
City, Zhejiang Prov.(315300)

Production Address: No.555, North Haiguan Road, Gutang Subdistrict, Cixi  
City, Zhejiang Prov.(315300)

Has been Audited to Conform to the Following Quality  
Management System Standard:  
**GB/T19001-2016/ISO9001:2015**

For the Whole Process of:  
**Production and Service of Water Meter for Export.**

( Issued By )

Date of Issue: Sep 10, 2017

Date of Expiry: Sep 09, 2020



**SHANGHAI SAILWAY CERTIFICATION CO.,LTD.**

Room 401, Building 21, No.481, Guijing Road, Xunui District, Shanghai

A surveillance audit must be carried out every 12 months within the three-year validity period. Also, it is only valid along with the anniversary confirmation. Effectiveness of the certification, you can search CNCA website: [www.cnca.gov.cn](http://www.cnca.gov.cn) or search the website of certification body: [www.sailway-china.com](http://www.sailway-china.com).

ISO9001

UTS INTERNATIONAL AUTHENTICATION LIMITED  
SUITELG01.CHANCERY HOUSE,CHANCERY  
LANE,LONDON,WC2A 1QU,ENGLAND



## EC Certificate of Compliance

NO.:UTS 17 06 0009

Applicant: NINGBO DEJIA WATER METER CO.,LTD.

Address: No.555 Haiguan North Road,Gutang Street,Cixi,Zhejiang,China

Manufacturer: NINGBO DEJIA WATER METER CO.,LTD.

Address: No.555 Haiguan North Road,Gutang Street,Cixi,Zhejiang,China

Product: Water Meter

Model: LXSG15-50

Test standard : ISO 4064-1:2014

The tests were performed in normal operation mode.

The test results apply only to the particular sample tested and to the specific tests carried out.This certificate applies specifically to the sample investigated in our test reference number only. The manufacturer has the permission to affix the following CE marking to Measuring equipment and manufactured in accordance to the scope covered by this Quality-Assurance System.

Certificate of the Type Examination No. UTS 17 06 0009 (Module B of Directive 2014/32/EU (MID))

Certificate of Quality System No. SW17Q20748R0S (Module D of Directive 2014/32/EU (MID))

Sep18, 2017

  
Manager





## SING JET METER

### Operation:

The water enters the meter from the inlet of the meter body and impacts the vane wheel at the tip of the vane blades to make it rotate. The water flows out from the outlet of the body. The rotation of the vane wheel (proportional to the velocity of water flow) is transmitted directly to the central gear in the vacuum-sealed register by the magnetic coupling. The sealed register totalizes and indicates the water volume passing through the meter.

**NINGBO DEJIA WATER METER CO.,LTD**

ADD: No.555 Haiguan Bei Rd, Cixi, Ningbo, Zhejiang 315300, China

TEL: 0086 574 63919547/63919580

FAX: 0086 574 63919516

EMAIL: Tachimeter@163.com

WEB: www.tachimeter.com

## Features:

1. Wet, dry, liquid sealed
2. For hot or cold water
3. Small, light
4. Brass body or plastic body, optional
5. Brass body can be painted or nickel coated
6. High accuracy
7. The meters conform to ISO 4064:2014 and 2004/22/EC(MID:B+D)

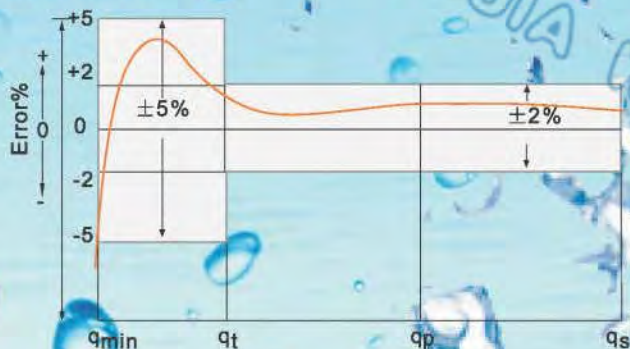
## Working condition:

- Water temperature  $\leq 50^{\circ}\text{C}$  (Hot water meter  $\leq 90^{\circ}\text{C}$ )
- Water pressure  $\leq 1\text{MPa}$  (PN: 1.6MPa/16bar)
- $\Delta P \leq 0.1\text{MPa}$

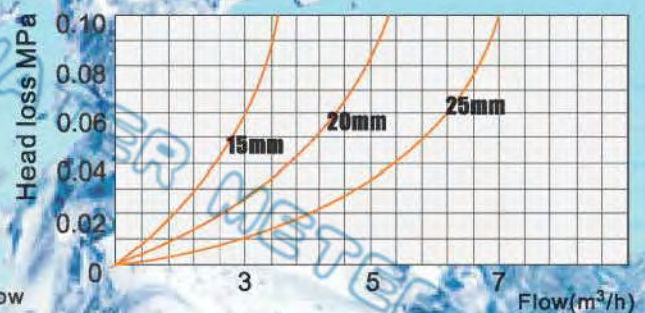
## Accuracy:

- From minimum flow-rate ( $q_{\min}$ ) inclusive, to transitional flow-rate ( $Q_t$ ), exclusive:  $\pm 5\%$
- From transitional flow-rate ( $Q_t$ ) inclusive, to overload flow-rate ( $Q_s$ ), exclusive:  $\pm 2\%$  (Hot water meter:  $\pm 3\%$ )

Error curve



Head loss curve





**NINGBO DEJIA**  
WATER METER CO., LTD

## G Serial



LXSG-15D



LXSG-15DL80



LXSG-20D

## M Seiral



LXSG-15DL



LXSG-15DLL80



LXSG-20D

## V Serial

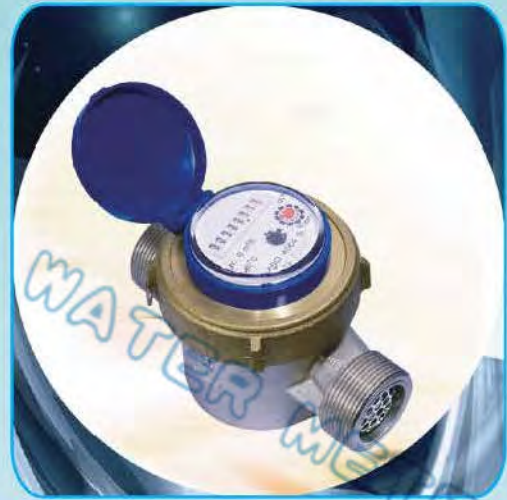


LXSG-15DH



LXSG-15DL

Type	Normal Size DN (mm)	Class of measurement	Overload flow-rate $Q_4$ ( $Q_{max}$ m <sup>3</sup> /h)	Normal flow-rate $Q_3$ ( $Q_n$ m <sup>3</sup> /h)	Transitional flow-rate $Q_2$ ( $Q_t$ m <sup>3</sup> /h)	Minimum flow-rate $Q_1$ ( $Q_{min}$ m <sup>3</sup> /h)	Minimum reading (m <sup>3</sup> )	Maximal reading (m <sup>3</sup> )
LXSG-15	15	R50	3.000	1.500	0.120	0.030	0.0001	99999
LXSG-15	15	R80	3.125	2.500	0.050	0.031	0.0001	99999
LXSG-15	15	R100	3.125	2.500	0.040	0.025	0.0001	99999
LXSG-20	20	R50	5.000	2.500	0.200	0.050	0.0001	99999
LXSG-20	20	R80	5.000	4.000	0.080	0.050	0.0001	99999
LXSG-20	20	R100	5.000	4.000	0.064	0.040	0.0001	99999



Type	Normal Size DN (mm)	Class of measurement	Overload flow-rate $Q_4$ ( $Q_{max}$ m <sup>3</sup> /h)	Normal flow-rate $Q_3$ ( $Q_n$ m <sup>3</sup> /h)	Transitional flow-rate $Q_2$ ( $Q_t$ m <sup>3</sup> /h)	Minimum flow-rate $Q_1$ ( $Q_{min}$ m <sup>3</sup> /h)	Minimum reading (m <sup>3</sup> )	Maximal reading (m <sup>3</sup> )
LXSG-25	25	R50	7.000	3.500	0.280	0.070	0.0001	99999
LXSG-25	25	R80	7.875	6.300	0.126	0.0780	0.0001	99999
LXSG-32	32	R50	12.000	6.000	0.480	0.120	0.0001	99999
LXSG-32	32	R80	12.500	10.000	0.200	0.125	0.0001	99999
LXSG-40	40	R50	20.000	10.000	0.800	0.200	0.0001	99999
LXSG-40	40	R80	20.000	16.000	0.320	0.200	0.0001	99999



**NINGBO DEJIA**  
WATER METER CO., LTD



## Domestic electronic remote-reading water meter

### Standards:

ISO 4064 (=GB/T 778-2007 )  
ISO 4064 (equivalent to GB/T 778-2007 )

it is to measure total volume of drinking water flowing through water supply pipelines and carry out pulse transmitting signals.

### Features:

- Remote transmitting sensor optional
- Adopting sensors with high reliability, strong anti-interference, long service life
- Remaining technical parameters of original water meters
- Remaining displaying reading function of original water meters
- Special structure design, advanced testing techniques to ensure reliable signal collection
- The maximum transmission distance from water meter to data collection device is 150 m.
- Wide application range, matching with a variety of data collection devices
- Dry dial or wet dial, hot water or cold water meter optional.
- Some can be improved from ordinary water meters.

### NINGBO DEJIA WATER METER CO., LTD

ADD: No.555 Haiguan Bei Rd, Cixi, Ningbo, Zhejiang 315300, China  
TEL: 0086 574 63919547/63919580  
FAX: 0086 574 63919516  
EMAIL: Tachimeter@163.com  
WEB: www.tachimeter.com



## MAIN TECHNICAL DATA Especificaciones técnicas

Meter Size Dia DN (mm)	Class	qs Max flow	qs Nominal Flow	qt Transitional Flow	qmin min flow	Min Reading lectura	Max Reading lectura
		m3/h		l/h		m3	
15	A	3	1.5	150	60	0.0001	99999
	B			120	30		
20	A	5	2.5	250	100	0.0001	99999
	B			200	50		

### Structure principle & Feature

The meter adopts sensor device with high sensitivity and strong anti-interference function; it can collect water consumption volume of water meter from long-distance and collected data is accurate and reliable; it is provided with remote transmitting signal function and remains measurement function through word wheel reading of original water meters; it can be connected with computers, which is convenient for centralized management by computers. The maximum transmitting distance from water meter to flow volume collector is 150 meters.

One or multiple remote transmitting water meters can be connected in accordance with the flow volume collecting system. The meter can be applicable to most of meter data collection systems.

**INDICATING ERROR**  
Accuracy between  $q_{min}$  and  $q_1 \pm 5\%$   
Accuracy between  $q_{min}$  and  $q_1 \pm 2\%$

### WORKING CONDITION

Working water temperature for cold water:  $\leq 35^\circ\text{C}$   
Working water temperature for hot water:  $\leq 90^\circ\text{C}$   
Working pressure  $\leq 1.0 \text{ Mpa}$

### SELECTED METER TYPE

**LXSY-15E-65E, LXSR-15E-65E** rotor wet remote transmitting cold (hot) water meter See the above table for main technical parameters, and nominal bores include 15, 20, 25, 32, 40, 50, and 65. See appearance dimensions and weight table in LX-15E-65E and LXSC-13D-25D and LXSR-13D-25D for appearance dimensions. Optional types of remote transmitting sensors: dry spring pipes, Hall elements, optoelectronic elements

**LXSCY-13D-25D, LXSCRY-13D-25D** single-streaming rotor dry remote transmitting cold (hot) water meters See the above table for main technical parameters, and nominal bores include 15, 20, and 25. See appearance dimensions and weight table in LXSC-13D-25D and LXSR-13D-25D for appearance dimensions. Optional types of remote transmitting sensors: dry spring pipes, Hall elements, optoelectronic elements

**LXSGY-15E-50E, LXSGRY-15E-50E** rotor dry remote transmitting cold (hot) water meter See the above table for main technical parameters, and nominal bores include 15, 20, 25, 32, 40, and 50. See appearance dimensions and weight table in LXSG-15E-65E and LXSGR-15E-65E for appearance dimensions. Optional types of remote transmitting sensors: dry spring pipes and Hall elements.

**LXHY-8** rotary-piston volume remote transmitting purified water meter See the above table for main technical parameters, and nominal bores include 8. See appearance dimensions and weight table in LXH-8 for appearance dimensions. Optional types of remote transmitting sensors: dry spring pipes and Hall elements. Pulse constant is a pulse/l.

### SELECTED METER TYPE

Pulse constant can be determined in accordance with user's requirement.

Lead wire is generally 1~1.2 meters long (it can be determined in accordance with user's requirement).

Lead wire can be optionally equipped with stainless steel protective cases and is 500-900 mm long.

End connecting screw thread M8x1 is 5 mm long.

lead wire connection way

Connecting wire of dry spring pipe sensor is two-core and without polarity.

Connecting wire of Hall elements is three-core. There is power cathode (3-3.6V)

the green is output and the green is commonly grounding.

Connecting wire of optoelectronic element is four-core. There is power cathode

(4.5-15V), the green is output, the yellow is backup detection end, and the black is commonly grounding.



**NINGBO DEJIA**  
WATER METER CO., LTD

## **MULTI JET METER, DRY TYPE**

### **LXSG-15D~50D ( 15,20,25,32,40,50 )**

#### **Operation:**

The water enters the meter from the inlet of the meter body and impacts the vane wheel at the tip of the vane blades to make it rotate. The water flows out from the outlet of the body. The rotation of the vane wheel (proportional to the velocity of water flow) is transmitted directly to the central gear in the vacuum-sealed register by the magnetic coupling. The sealed register totalizes and indicates the water volume passing through the meter.

#### **Features:**

1. Wet, dry, liquid sealed
2. For hot or cold water
3. Small, light
4. Brass body iron or plastic body, optional
5. Brass body can be painted or nickel coated
6. High accuracy
7. The meters conform to ISO 4064:2014 and 2004/22/EC(MID:B+D)

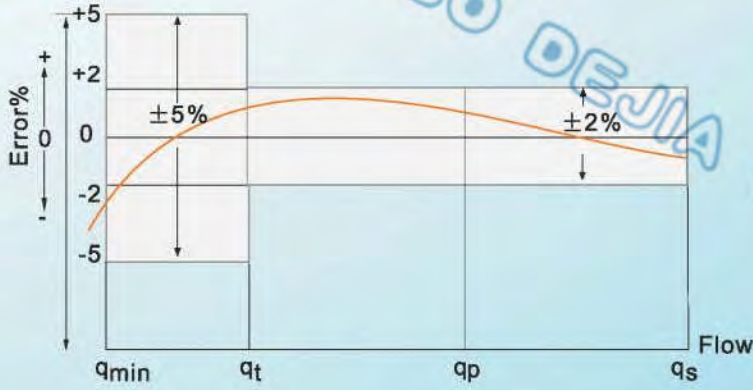
#### **Working condition:**

- Water temperature  $\leq 50^{\circ}\text{C}$  (Hot water meter  $\leq 90^{\circ}\text{C}$ )
- Water pressure  $\leq 1\text{MPa}$  (PN: 1.6MPa/16bar)
- $\Delta P \leq 0.1\text{MPa}$

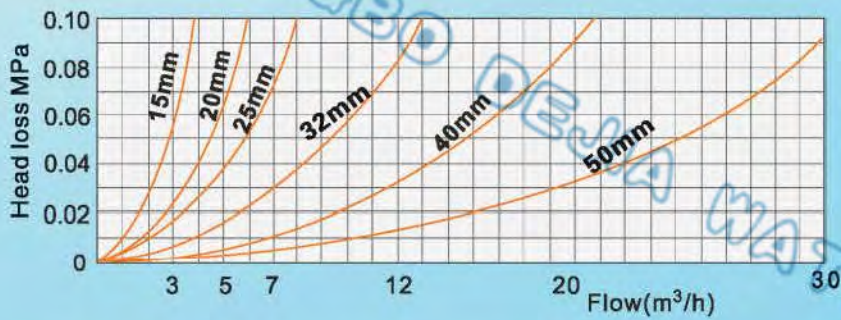
#### **Accuracy:**

- From minimum flow-rate ( $q_{\min}$ ) inclusive, to transitional flow-rate ( $Q_t$ ), exclusive:  $\pm 5\%$
- From transitional flow-rate ( $Q_t$ ) inclusive, to overload flow-rate ( $Q_s$ ), exclusive:  $\pm 2\%$  (Hot water meter:  $\pm 3\%$ )

### Error curve



### Head loss curve



型号      公称口径      计量等级      过载流量      常用流量      分界流量      最小流量      最小读数      最大读数

Type	Normal Size DN (mm)	Class of measurement	Overload flow-rate Q <sub>4</sub> (Q <sub>max</sub> m <sup>3</sup> /h)	Normal flow-rate Q <sub>3</sub> (Q <sub>n</sub> m <sup>3</sup> /h)	Transitional flow-rate Q <sub>2</sub> (Q <sub>t</sub> m <sup>3</sup> /h)	Minimum flow-rate Q <sub>1</sub> (Q <sub>min</sub> m <sup>3</sup> /h)	Minimum reading (m <sup>3</sup> )	Maximal reading (m <sup>3</sup> )
LXSG-15	15	R100	3.125	2.500	0.040	0.025	0.0001	99999
LXSG-15	15	R160	3.125	2.500	0.025	0.0156	0.0001	99999
LXSG-20	20	R100	5.000	4.000	0.064	0.040	0.0001	99999
LXSG-20	20	R160	5.000	4.000	4.000	0.025	0.0001	99999
LXSG-25	25	R100	7.875	6.300	0.100	0.063	0.0001	99999
LXSG-32	32	R100	12.500	10.000	0.160	0.100	0.0001	99999
LXSG-40	40	R100	20.000	16.000	0.256	0.160	0.0001	99999
LXSG-50	50	R100	31.250	25.000	0.400	0.250	0.0001	99999



**NINGBO DEJIA**  
WATER METER CO., LTD

## MULTI JET METER, WET TYPE

### Working condition:

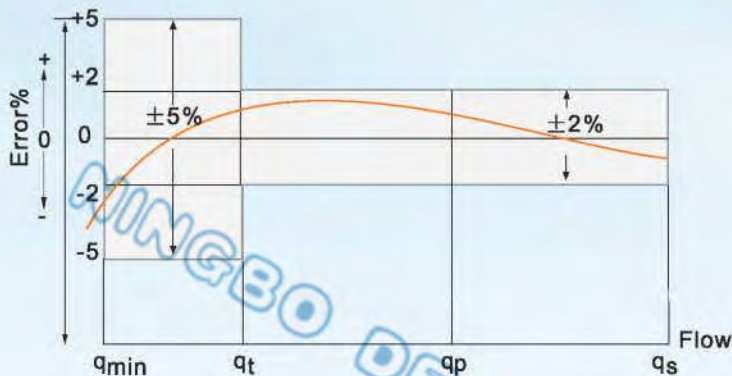
- Water temperature  $\leq 30^{\circ}\text{C}$   
(Hot water meter  $\leq 90^{\circ}\text{C}$ )
- Water pressure  $\leq 1\text{MPa}$   
(PN: 1.6MPa/16bar)
- $\Delta P \leq 0.1\text{MPa}(q_s)$   
 $\Delta P \leq 0.063\text{MPa}(Q_3)$

### Accuracy:

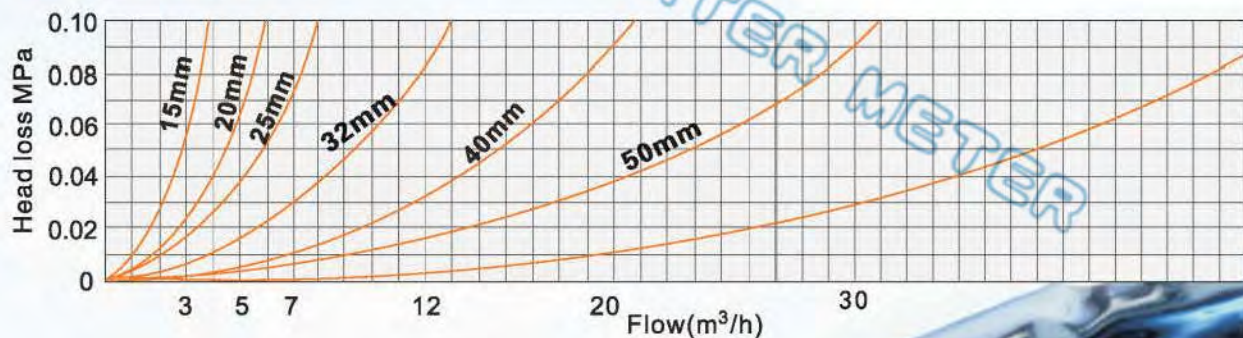
- From minimum flow-rate ( $q_{\min}$ ) inclusive, to transitional flow-rate ( $Q_t$ ), exclusive:  $\pm 5\%$
- From transitional flow-rate ( $Q_t$ ) inclusive, to overload flow-rate ( $Q_s$ ), exclusive:  $\pm 2\%$   
(Hot water meter:  $\pm 3\%$ )

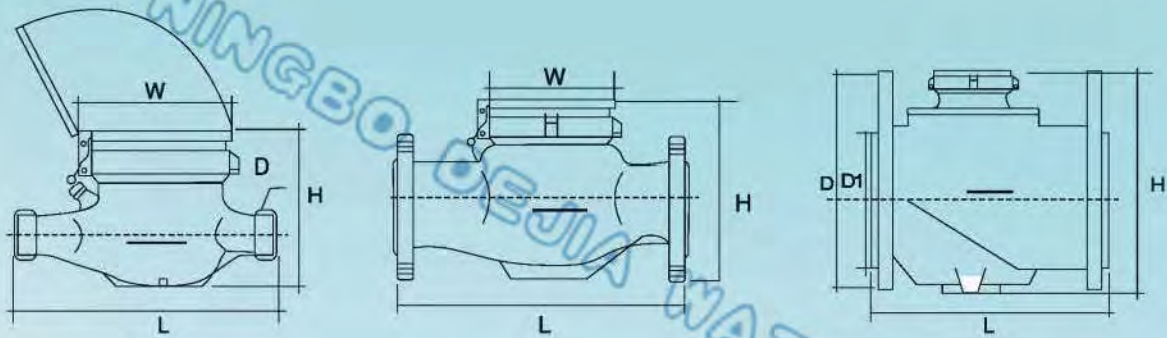


### Error curve



### Head loss curve





### TECHNICAL DATA:

Normal Size DN (mm)	Class of measurement	Overload flow-rate Q <sub>4</sub> (Q <sub>max</sub> m <sup>3</sup> /h)	Normal flow-rate Q <sub>3</sub> (Q <sub>n</sub> m <sup>3</sup> /h)	Transitional flow-rate Q <sub>2</sub> (Q <sub>t</sub> m <sup>3</sup> /h)	Minimum flow-rate Q <sub>1</sub> (Q <sub>min</sub> m <sup>3</sup> /h)
15	R100	3.125	2.500	0.040	0.025
15	R160	3.125	2.500	0.025	0.0156
20	R100	5.000	4.000	0.064	0.040
20	R160	5.000	4.000	4.000	0.025
25	R100	7.875	6.300	0.100	0.063
32	R100	12.500	10.000	0.160	0.100
40	R100	20.000	16.000	0.256	0.160
50	R100	31.250	25.000	0.400	0.250
65	B	40.000	20.000	4.000	0.600
80	B	60.000	30.000	6.000	0.900
100	B	100.000	50.000	10.000	1.500
150	B	200.000	100.000	20.000	3.000

### Overall dimensions and weight

Type	Size (mm)	Length (mm) L	Width (mm)		Height (mm) W2	Connecting Thread D	Weight (kg)
			W1	W2			
LXSL-15	15	98	96	134	115	G <sup>3/4</sup> B	1.7
LXSL-20	20	100	96	140	118	G1B	2.1
LXSL-25	25	108	103	162	121	G1 <sup>1/4</sup> B	3.1
LXS-15	15	165	99		104	G <sup>3/4</sup> B	1.5
LXS-20	20	195/190	99		106	G1B	1.7
LXS-25	25	225/260	104		120	G1 <sup>1/4</sup> B	2.4
LXS-32	32	230/260	104		120	G <sup>1/2</sup> B	2.8
LXS-40	40	245/300	125		155	G2B	5.1
LXS-50	50	280/300	125		155	G2 <sup>1/2</sup> B	7.2
		280	158		175	Outer diameter of flange GB4216.4-84	14
LXS-65	65	280	162		175	Outer diameter of flange GB4216.4-84	14.1

Type	Size (mm)	Length (mm)	Height (mm)	Connecting flange		
				Outer diameter of flange D (mm)	The center diameter of connecting bolt D1 (mm)	Connecting bolt (Pcs.)
LXS-80	80	370	255	210	160	8 X M16
LXS-100	100	370	280	235	180	8 X M16
LXS-150	150	500	263	285	240	8 X M20





**NINGBO DEJIA**  
WATER METER CO., LTD



## Rotary Piston Water Meter (Volumetric Meter)

### Operation:

A volumetric meter is the device fitted into a closed conduit, which consists of chambers of known volume and a mechanism driven by the flow, whereby these chambers are successively filled with water and then emptied. The water to be measured enters the inlet of the body and its pressure sets the piston into rotation. Every rotational cycle of the piston discharge a fixed volume of water to the meter of body. The number of rotation of the piston is totalized through a reduction gear, to totalize in the register, when the total volume of water is registered.

### Features:

- Rotary piston system, long service life
- Dry-dial or liquid sealed register, keeps clear reading for long time
- High measuring accuracy, the starting flow of the meter is 2 l/h or less
- LXH-15-20 can be installed in any position
- Brass body or engineering plastic body, optional
- m<sup>3</sup> or gal, optional
- Remote transmission device can be added upon request
- Many kinds of sensors, such as Reed Switch, Hall and Weagand can be supplied upon request
- Pulse output may be 1l/pulse , 10l/pulse
- The meters conform to ISO4064 standard Class C or Class D



Net

ISO 9001:2015



ISO 4064:2014  
2014/1227/EN15188-1-401

**NINGBO DEJIA WATER METER CO.,LTD**

ADD: No.555 Haiguan Bei Rd, Cixi, Ningbo, Zhejiang 315300, China

TEL: 0086 574 63919547/63919580

FAX: 0086 574 63919516

EMAIL: Tachimeter@163.com

WEB:www.tachimeter.com

**Technical data:**

Nominal size DN(mm)	Class of measurement	Overload flow-rate $q_s$ (m <sup>3</sup> /h)	Permanent flow-rate $q_p$ (m <sup>3</sup> /h)	Transitional flow-rate $q_t$ (l/h)	Minimum flow-rate $q_{min}$ (m <sup>3</sup> /h)	Minimum reading $M_{min}$ (m <sup>3</sup> )	Maximum reading $M_{max}$ (m <sup>3</sup> )
15	C	3	1.5	22.5	15.0	0.0001	9999
	D			17.5	11.25		
20	C	5	2.5	37.5	25	0.0001	9999
	D			28.75	18.75		
25	C	7	3.5	52.5	35	0.0001	9999
	D			40.25	26.5		

**Working condition:**

- Water temperature  $\leq 45^\circ\text{C}$
- Water pressure  $\leq 1\text{MPa}$   
(PN: 1.6MPa/16bar)
- $\Delta P \leq 0.1\text{MPa}$

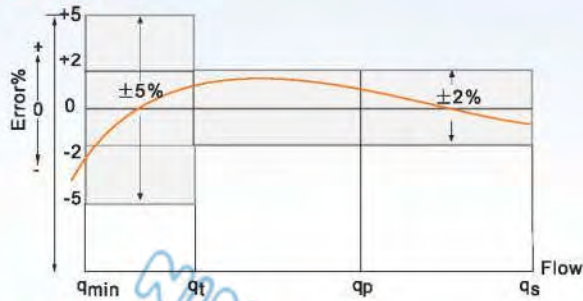
**Accuracy:**

- From minimum flow-rate ( $q_{min}$ ) inclusive, to transitional flow-rate ( $q_t$ ), exclusive:  $\pm 5\%$
- From transitional flow-rate ( $q_t$ ) inclusive, to overload flow-rate ( $q_s$ ), exclusive:  $\pm 2\%$

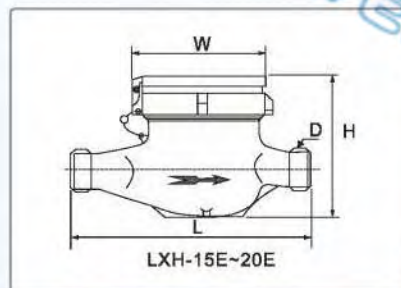
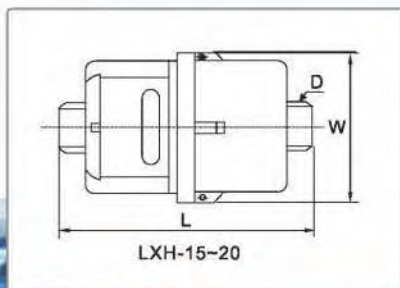
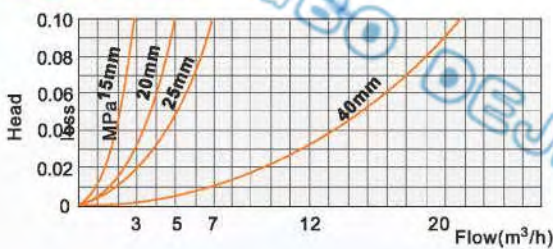
**Overall dimensions and weight**

Type	Size (mm)	Length (mm) L	Width (mm) W	Height (mm) H	Connecting Thread D	Weight (kg)
LXH-15	15	200	115	90	G $3/4$ "B	1.1
LXH-20	20	270	165	90	G 1" B	1.8
LXH-25	25	310	200	106	G 1 $1/4$ " B	2.5
LXH-15E	15	165	95	115	G $3/4$ " B	1.7
LXH-20E	20	190	100	120	G 1" B	2.0

**Error curve**



**Head less curve**



# 水平可拆卸干式冷(热)水表 HORIZONTAL WOLTMAN DETACHABLE DRY TYPE WATER METER



规格 (Specification): LXLC-50E 200E  
产品类别 (Type): 大口径水表 (WOLTMAN TYPE)

用途: 记录流经自来水管道的饮用冷(热)水的总量。  
特点: 本系列水表为干式水表, 采用字轮码显示, 计算机构与测量机构之间由磁铜偶合传动, 具有结构先进、读书方便、压力损失小、维修方便, 并可不停水或短时间停水更换计算数机构和机芯等特点。  
产品符合IOS 4064 B级标准

适用标准:  
ISO 4064 (GB/T778-1996 JB/T8802-1988)

示值误差限:  
从包括最小流量 (qmin) 至不包括分界流量 (qt) 的低区±5%  
从包括分界流量 (qt) 至包括过载流量 (qs) 的高区±2%

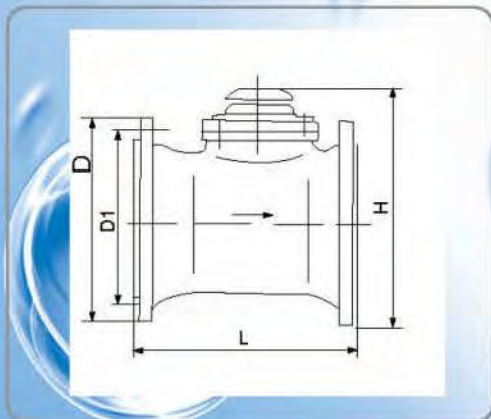
使用条件:  
水温 ≤ +40°C (热水表 ≤ 90°C) 水压 ≤ 1.0MPa



## 主要技术参数 Main Technical Data

型号 Type	公称口径 Size mm	计量等级 Class	过载流量 qs Max flow	常用流量 qs Nominal Flow	分界流量 qt Transitional Flow	最小流量 qmin min flow	最小读数 Min Reading lectura	最大读数 Max Reading lectura
					m <sup>3</sup> /h			m <sup>3</sup>
LXLCR-50E	50	A	30	15	4.5	1.2	0.001	9,999,999
LXLC-50E		B			3	0.45		
LXLCR-65E	65	A	50	25	7.5	2	0.001	9,999,999
LXLC-65E		B			5	0.75		
LXLCR-80E	80	A	80	40	12	3.2	0.001	9,999,999
LXLC-80E		B			8	1.2		
LXLCR-100E	100	A	120	60	18	4.8	0.001	9,999,999
LXLC-100E		B			12	1.8		
LXLCR-125E	125	A	200	100	30	8	0.001	9,999,999
LXLC-125E		B			20	3		
LXLCR-150E	150	A	300	150	45	12	0.01	99,999,999
LXLC-150E		B			30	4.5		
LXLCR-200E	200	A	500	250	75	20	0.01	99,999,999
LXLC-200E		B			50	7.5		

## 外型尺寸及重量 Dimensions and Weight



型号 Type	公称口径 Size	长L Length	宽B Width	高H Height	连接法兰 Connecting flange			重量 Weight
	mm	mm	mm	mm	法兰外径 Outer Dia	螺栓中心圆直径 Bolt circle dia	连接螺栓数量 规格 Connecting Bolt dia	kg
LXLCR-50E LXLC-50E	50	200	175	250	125		4-M16	12
LXLCR-65E LXLC-65E	65	200	185	255	145		4-M16	13
LXLCR-80E LXLC-80E	80	225	200	265	160		8-M16	15
LXLCR-100E LXLC-100E	100	250	220	275	180		8-M16	19
LXLCR-125E LXLC-125E	125	250	245	285	210		8-M16	22
LXLCR-150E LXLC-150E	150	300	285	310	240		8-M20	28
LXLCR-200E LXLC-200E	200	350	345	370	295		8-M20	41





**NINGBO DEJIA**  
WATER METER CO., LTD

UTS INTERNATIONAL AUTHENTICATION LIMITED

UTS INTERNATIONAL AUTHENTICATION LIMITED  
SUITELG01.CHANCERY HOUSE,CHANCERY  
LANE,LONDON,WC2A 1QU,ENGLAND



## EC Certificate of Compliance

NO.:UTS 17 04 0005

Applicant: NINGBO DEJIA WATER METER CO.,LTD.

Address: No.555 Haiguan North Road,Gutang Street,Cixi,Zhejiang,China

Manufacturer: NINGBO DEJIA WATER METER CO.,LTD.

Address: No.555 Haiguan North Road,Gutang Street,Cixi,Zhejiang,China

Product: Water Meter

Model: LXLC50-300

The submitted products have been tested by us with the listed standards and found  
2014/32/EU Measuring equipment (MID)

EN 14154-1:2005+A1:2007

The tests were performed in normal operation mode.

The test results apply only to the particular sample tested and to the specific tests  
carried out.This certificate applies specifically to the sample investigated in our test  
reference number only.The CE markings as shown below can be affixed on the  
product after preparation of necessary technical documentation. Other relevant  
Directives have to be observed.

April 7, 2017

  
\_\_\_\_\_  
Manager





## Specifications

1. Purchase first, then use
2. Step price
3. Stable performance
4. Low power consumption
5. Unique battery protection



## Smart Residential IC Card Prepaid Water Meter

### Application

IC card prepaid water meter is the new measuring instrument employing the microprocessor to realize water collection, processing, display and reserving. It is a kind of smart water meter. Compared with traditional way, it can control user's overspend by prepaying for an IC card.

### Features:

1. The material of meter body can be iron and brass
2. Using pre-paid way to achieve the new management mode of "purchase first, then use"
3. Show the different level price of the water, one card can be used to several meter.
4. Double reading display: mechanical and digital meter reading
5. The unique battery protection
6. Stable performance, wide application.
7. Low power consumption, long life time.

### Working Conditions

Water temperature (cold water):  $\leq 40^{\circ} \text{C}$

Water temperature (hot water):  $\leq 90^{\circ} \text{C}$

Water pressure:  $\leq 1.0 \text{ Mpa}$

### Working Conditions

Type	Size mm	Class	Max Flow	Nominal Flow	Transitional Flow	Min Flow	Min Reading	Max Reading
			m <sup>3</sup> /h		l/h		m <sup>3</sup>	
LXSGZ-15E	15	B	3.125	2.5	50	31.25	0.0001	99999
					40	25		
					32	20		
					25	15.62		
LXSGZ-20E	20	B	5	4	80	50	0.0001	99999
					64	40		
					51.2	32		
					40	25		
LXSGZ-25E	25	B	7.875	6.3	126	78.75	0.0001	99999
					100.8	63		
					80.64	50.4		
					63	39.37		

### Maximum Permissible Error:

1. In the lower zone from  $q_{min}$  inclusive up to but excluding  $q_t$  is  $\pm 5\%$ ;
2. In the upper zone from  $q_t$  inclusive up to and including  $q_s$  is  $\pm 2\%$  (hot water meter is  $\pm 3\%$ ).

NINGBO DEJIA WATER METER

NINGBO DEJIA WATER METER

NINGBO DEJIA WATER METER





**NINGBO DEJIA**  
WATER METER CO., LTD



**NINGBO DEJIA WATER METER CO.,LTD**

ADD: No.555 Haiguan Bei Rd, Cixi, Ningbo, Zhejiang 315300, China

TEL: 0086 574 63919547/63919580

FAX: 0086 574 63919516

EMAIL: Tachimeter@163.com

WEB:www.tachimeter.com